

PS500 (B391)

(RoHS Compliant Materials)

PS500 (B391)

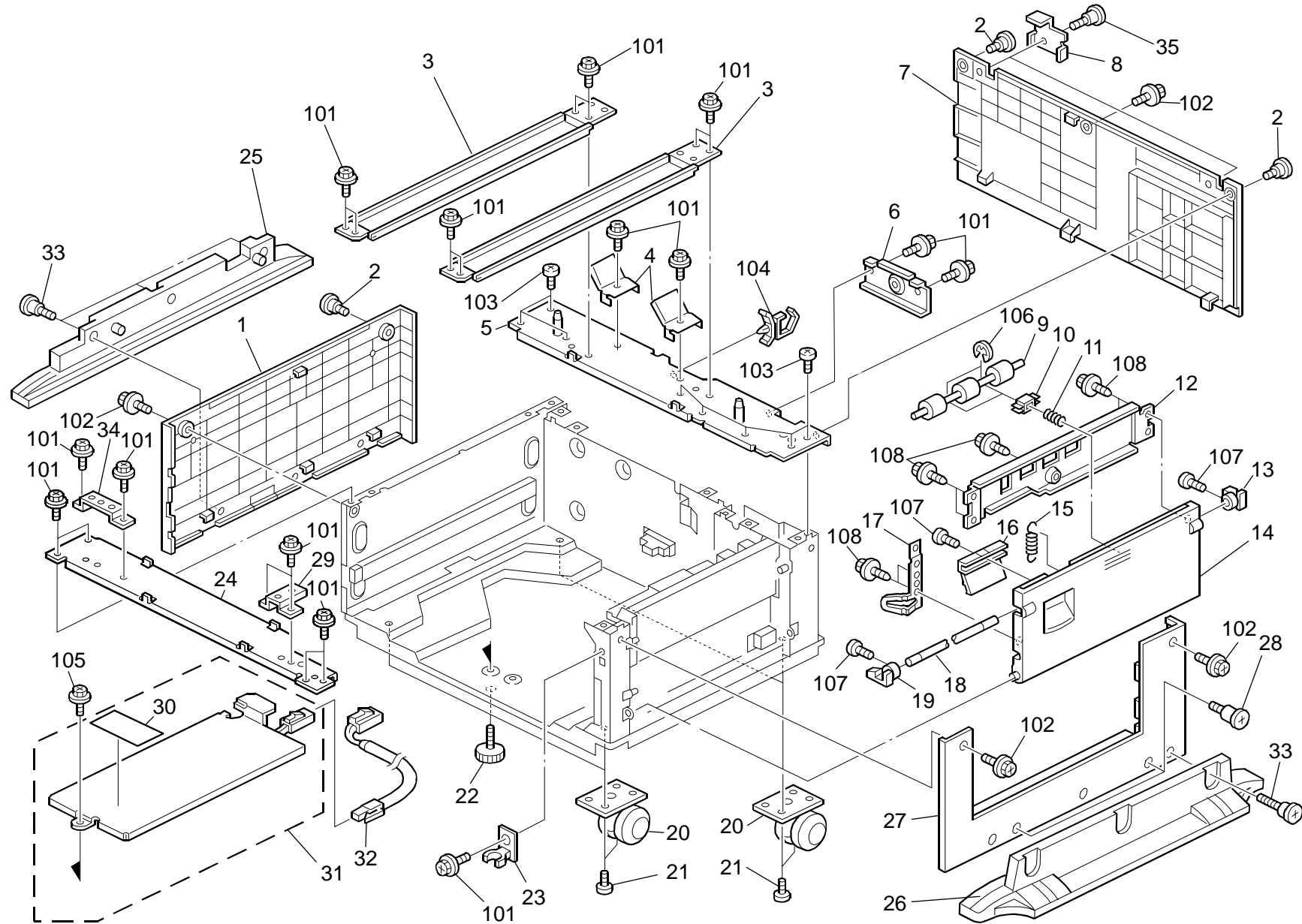
PARTS CATALOG

This catalog gives the numbers and names of parts on this machine.

1.EXTERIOR (B391).....	2
2.PAPER FEED SECTION (B391)	4
3.TANDEM TRAY 1 (B391)	6
4.TANDEM TRAY 2 (B391)	8
5.TANDEM TRAY 3 (B391)	10
6.DRIVE/ELECTRICAL SECTION (B391).....	12
7.DECALS AND DOCUMENTS (B391).....	14
PARTS INDEX.....	17

July ,01 ' 2005

1.EXTERIOR (B391)

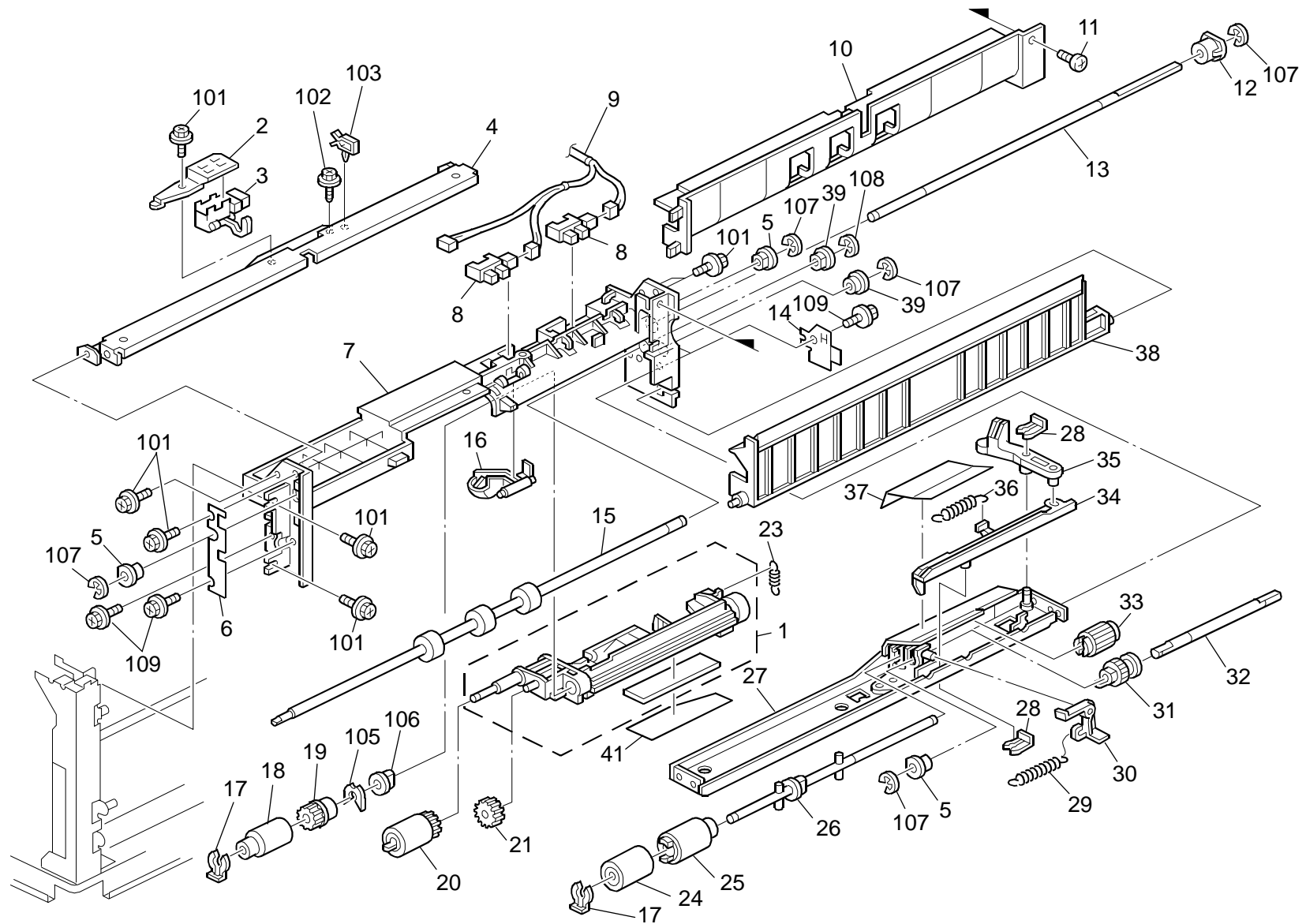


1.EXTERIOR (B391)

Index No.	Part No.	Description	Q'ty Per Assembly
1	B390 1255	Left Cover	1
2	B390 1759	Shaft:Scale	3
3	B384 1120	Upper Left Stay	2
4	B384 1146	Spring Plate	2
5	B391 1115	Stay:Upper Rear:Peen	1
6	B384 1117	Bracket - Upper Rear Stay	1
7	B384 1270	Rear Cover	1
8	A860 6140	Bracket - Joint	1
9	AF02 1409	Roller:Driven	1
10	AA08 0254	Bushing - M4	2
11	AA06 3382	Pressure Spring	2
12	B391 2565	Guide Plate - Vertical Transport	1
13	A862 2574	Rear Hook - Vertical Transport	1
14	B391 2560	Cover - Vertical Transport	1
15	AA06 0795	Tension Spring	1
16	B391 2571	Lever - Vertical Transport	1
17	A862 2567	Stopper Vertical Transport	1
18	AA14 1709	Shaft:Un Lock:Vertical Transport	1
19	A862 2573	Front Hook - Vertical Transport	1
20	AH01 2026	Caster	4
21	A507 1096	Philips Screw - M5x6	16
22	B390 1125	Adjusting Pin:Base	1
23	A232 2995	Front Positioning Guide	1
24	B384 1110	Upper Front Stay	1
25	A860 6220	Left Stand	1
26	A860 6215	Right Stand	1
27	B390 1265	Right Cover	1
28	A860 6230	Screw - M3	2
29	B384 1131	Front Right Bracket	1
30	AA00 0401	Decal - High Temperature	1
31	B391 7351	Tray Heater 230v	1
32	B391 5370	Harness:Heater:Ass'y	1
33	B390 4351	Screw:Fix:Tray:Exit	2
34	B384 1132	Front Left Bracket	1
35	AA14 3508	Flat Knob Screw - M4x10	2

Index No.	Part No.	Description	Q'ty Per Assembly
101	0451 3006N	Tapping Screw - 3x6	
102	0451 3008N	Tapping Screw - M3x8	
103	0453 3006N	Tapping Screw - M3x6	
104	1105 0310	Harness Clamp - LWS-1S	
105	0950 3006N	Screw:Spring Washer:M3x6	
106	0720 0030E	Retaining Ring - M3	
107	0353 0060N	Philips Pan Head Bind Screw - M3x6	
108	0452 3008N	Tapping Screw - M3x8	

2.PAPER FEED SECTION (B391)

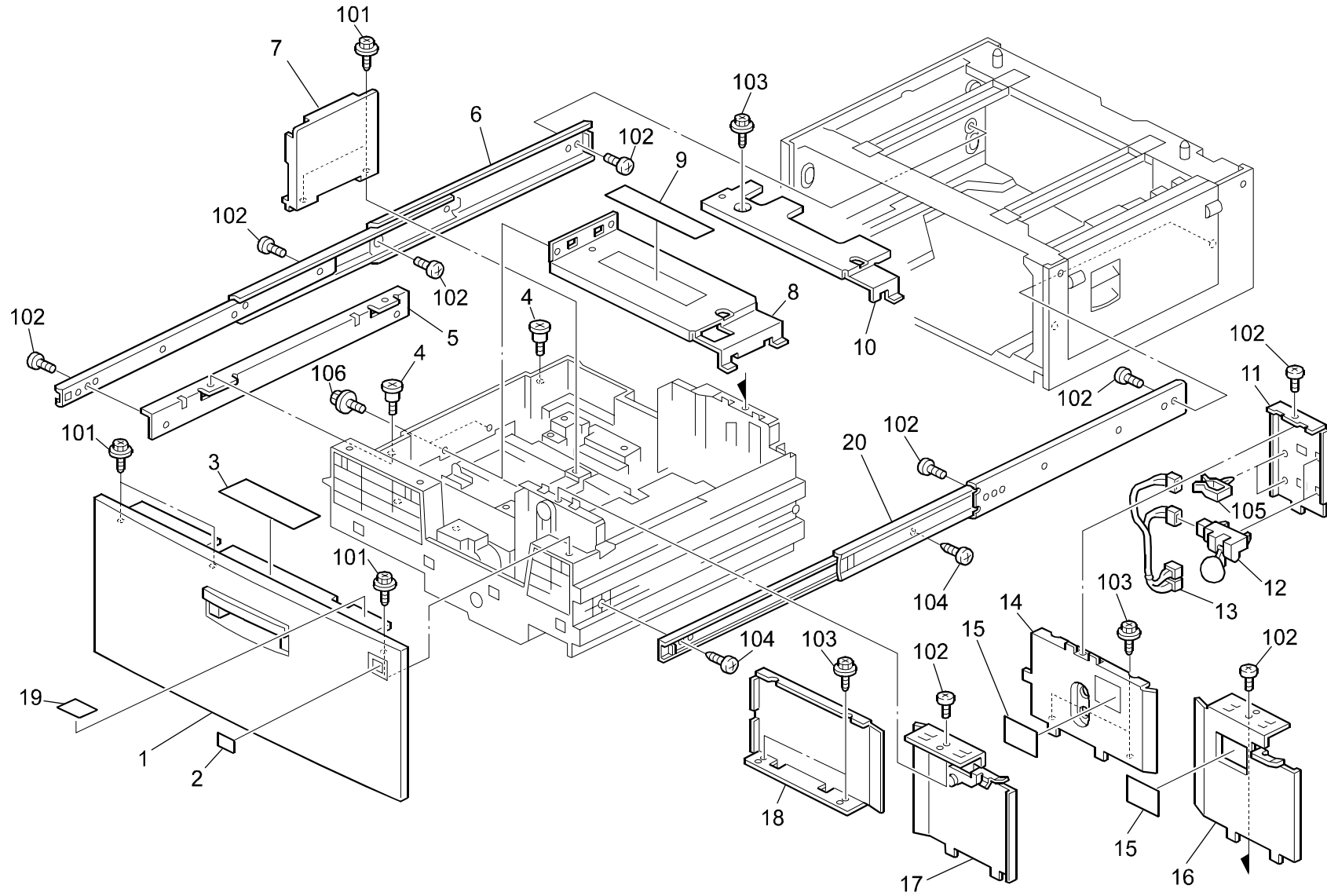


2.PAPER FEED SECTION (B391)

Index No.	Part No.	Description	Q'ty Per Assembly
*	B391 2749	Paper Feed Unit:H-b:Ass'y	1
1	A862 2753	Arm Pickup Ass'y	1
2	A232 2781	Sensor Bracket	1
3	AW02 0157	Paper Feed Sensor	1
4	B391 2760	Feed Stay	1
5	AA08 2072	Bushing - M6	3
6	A862 2758	Ground Plate Front	1
7	B391 2751	Housing Paper Feed Unit	1
8	AW02 0160	Paper Feed Sensor	2
9	B391 5428	Harness:Paper Feed Unit:Ass'y	1
10	B391 2752	Guide Plate Housing - Paper Feed	1
11	B391 3051	Flat Screw:Hand Set:M3	1
12	AA08 3014	One-way Clutch	1
13	AA14 0655	Shaft - Paper Feed	1
14	A232 2764	Rear Grounding Plate	1
15	AF02 1404	Transport Roller:Drive	1
16	A232 2762	Paper End Feeler	1
17	5447 2681	Snap Ring	2
18	AF03 1035	Feed Roller	1
19	AB01 1189	Gear - 18Z	1
20	AF03 0035	Pick-up Roller	1
21	AB01 1188	Gear - 21Z	1
23	AA06 0691	Tension Spring	1
24	AF03 2035	Separation Roller	1
25	A284 2783	Torque Limiter	1
26	B391 2777	Shaft:Separate:Driven:Ass'y	1
27	B391 2763	Stay:Separate:Ass'y	1
28	5206 2686	Snap Ring	2
29	AA06 0692	Tension Spring	1
30	A232 2774	Pressure Lever	1
31	AB01 0106	Gear - 24Z	1
32	AA14 1656	Shaft:Separate:Drive	1
33	AB01 0107	Gear - 23Z	1
34	A232 2775	Link Lever	1
35	A232 2776	Release Lever	1

Index No.	Part No.	Description	Q'ty Per Assembly
36	AA06 0693	Tension Spring	1
37	B391 2769	Rear Feed Mylar	1
38	A862 2756	Guide Plate Swivel	1
39	AA08 2070	Bushing - 8x16x7	2
41	A232 2766	Feed Mylar	1
101	0453 3006N	Tapping Screw - M3x6	
102	0450 3008N	Tapping Screw - M3x8	
103	1105 0283	Clamp	
104	0451 3008N	Tapping Screw - M3x8	
105	0805 0089	Retaining Ring - M4	
106	0805 3480	Bushing - 6mm	
107	0720 0040E	Retaining Ring - M4	
108	0720 0060E	Retaining Ring - M6	
109	0451 3006N	Tapping Screw - 3x6	

3.TANDEM TRAY 1 (B391)

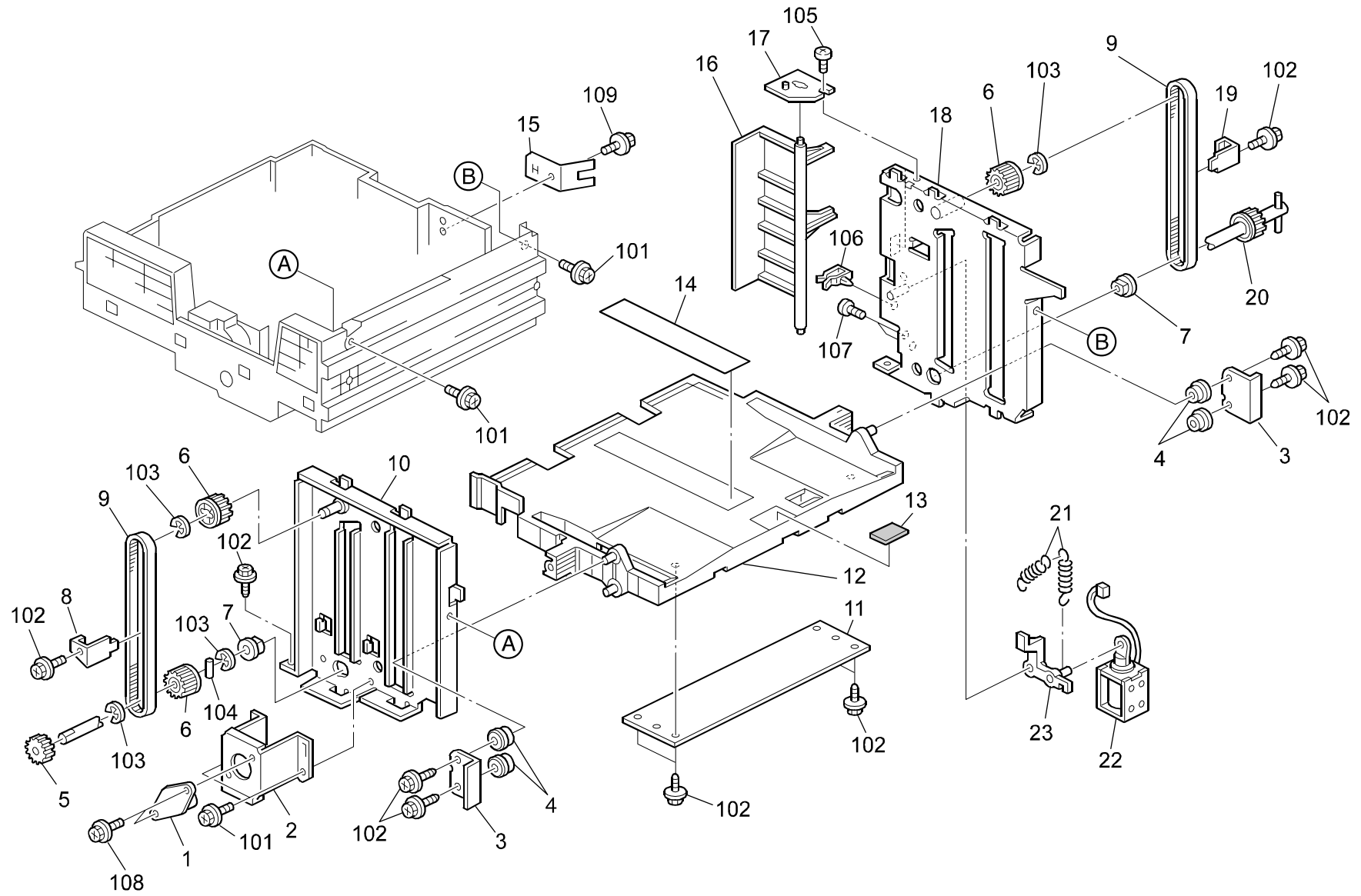


3.TANDEM TRAY 1 (B391)

Index No.	Part No.	Description	Q'ty Per Assembly
1	B391 2610	Front Cover	1
2	B391 2612	Decal - Size Indication	1
3	B391 2615	Decal - Paper Set Direction	1
4	AA14 3632	Screw:M3	2
5	B391 1088	Spring Plate	1
6	AA07 0047	Slide Rail	1
7	A862 2725	End Fence - Tandem Tray	1
8	B391 2770	Timing Belt Cover	1
9	A096 6678	Decal - Left Paper Set	1
10	B391 2771	Positioning Sensor Cover	1
11	B391 2737	Bracket - Paper Volume Sensor	1
12	AW02 0160	Paper Feed Sensor	2
13	B391 5350	Harness:Paper Volume Sensor:Ass'y	1
14	B391 2736	Rear Side Fence - Tandem Tray	1
15	AA00 2010	Decal - Paper Level	2
16	B391 2664	Side Fence:Rear:Peen	1
17	B391 2659	Side Fence:Front:Peen	1
18	B391 2730	Front Side Fence - Tandem Tray	1
19	B391 2757	Decal - Paper Tray	1
20	AA07 0053	Right Slide Rail	1

Index No.	Part No.	Description	Q'ty Per Assembly
101	0450 3010N	Tapping Screw - M3x10	
102	0453 3006N	Tapping Screw - M3x6	
103	0450 3008N	Tapping Screw - M3x8	
104	0452 3008N	Tapping Screw - M3x8	
105	1105 0283	Clamp	
106	0451 3006N	Tapping Screw - 3x6	

4.TANDEM TRAY 2 (B391)

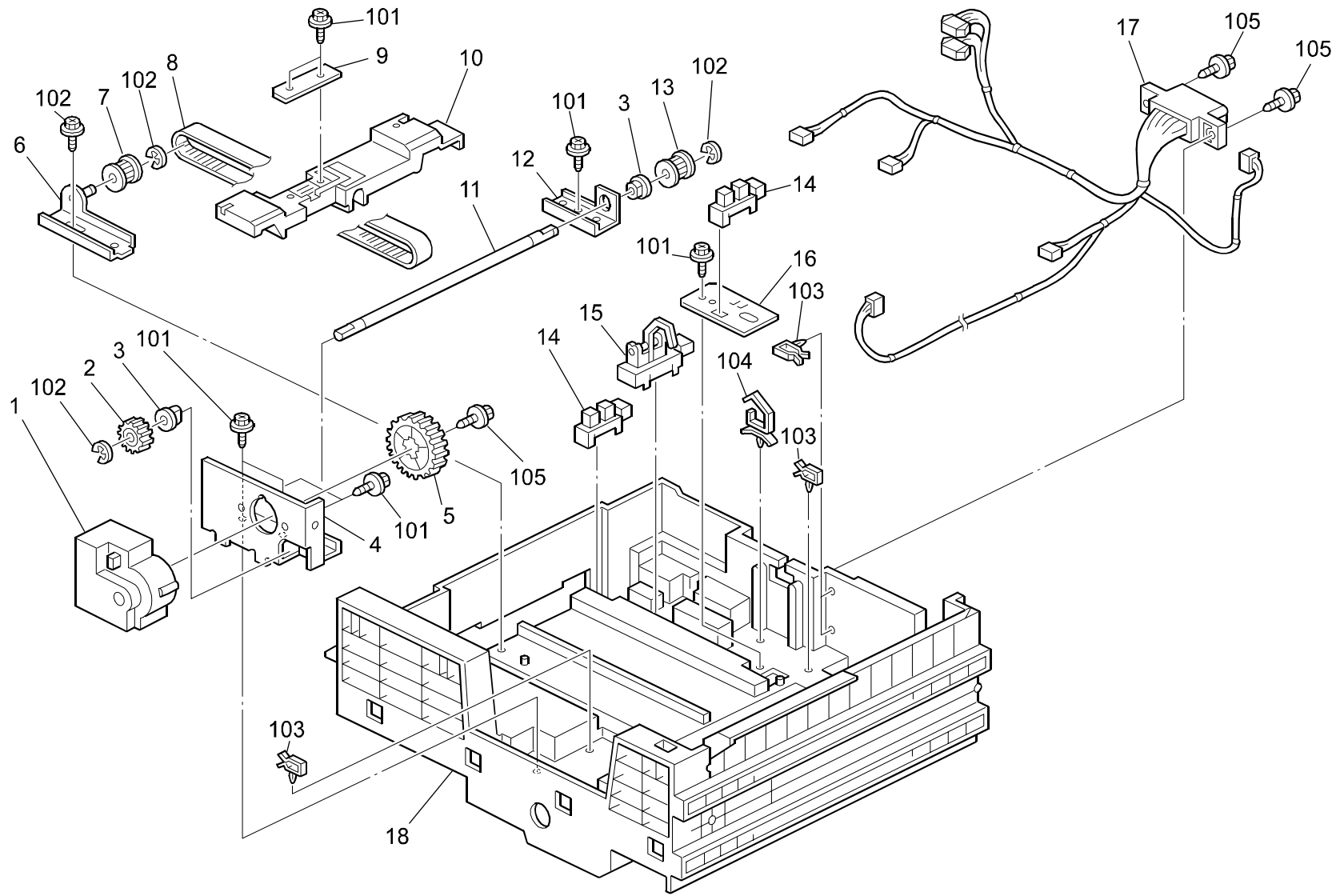


4.TANDEM TRAY 2 (B391)

Index No.	Part No.	Description	Q'ty Per Assembly
1	A862 2692	Oil Damper	1
2	B391 2691	Damper Bracket	1
3	B391 2639	Roller Plate Bracket	2
4	A335 4351	Guide Roller	4
5	AB01 4135	Gear - 18Z	1
6	AB03 0633	Timing Pulley - Tray Bottom Plate	3
7	5053 0223	Bushing - 8mm	2
8	B391 2673	Stay - Timing Belt	1
9	AA04 3524	Timing Belt - S3M417	2
10	B391 2624	Side Plate:Front:Large Capacity Tray:Peen	1
11	B391 2631	Balancer - Bottom Plate	1
12	A862 2630	Tray Bottom Plate	1
13	A421 2543	Friction Pad	1
14	A096 6677	Decal - Right Paper Set	1
15	A862 2605	Earth Spring Plate - Paper Tray	1
16	A862 2645	End Fence Rear	1
17	B391 2676	End Fence Bracket	1
18	B391 2634	Side Plate:Rear:Large Capacity Tray:Peen	1
19	B391 2674	Stay - Timing Belt Rear	1
20	B391 2641	Shaft:Tray Bottom Plate:Rise:Ass'y	1
21	AA06 0796	Tension Spring - End Fence	2
22	B391 2671	DC Solenoid:End Fence:Ass'y	1
23	B070 6684	Lever:Release:Rear	1

Index No.	Part No.	Description	Q'ty Per Assembly
101	0451 3006N	Tapping Screw - 3x6	
102	0450 3008N	Tapping Screw - M3x8	
103	0720 0060E	Retaining Ring - M6	
104	0623 0140E	Spring Pin - 3x14mm	
105	0453 3006N	Tapping Screw - M3x6	
106	1105 0267	Harness Clamp - YMC-10-0	
107	0313 0040N	Screw:M3x4	
108	0451 4006N	Tapping Screw - 4x6	
109	0451 3008N	Tapping Screw - M3x8	

5.TANDEM TRAY 3 (B391)

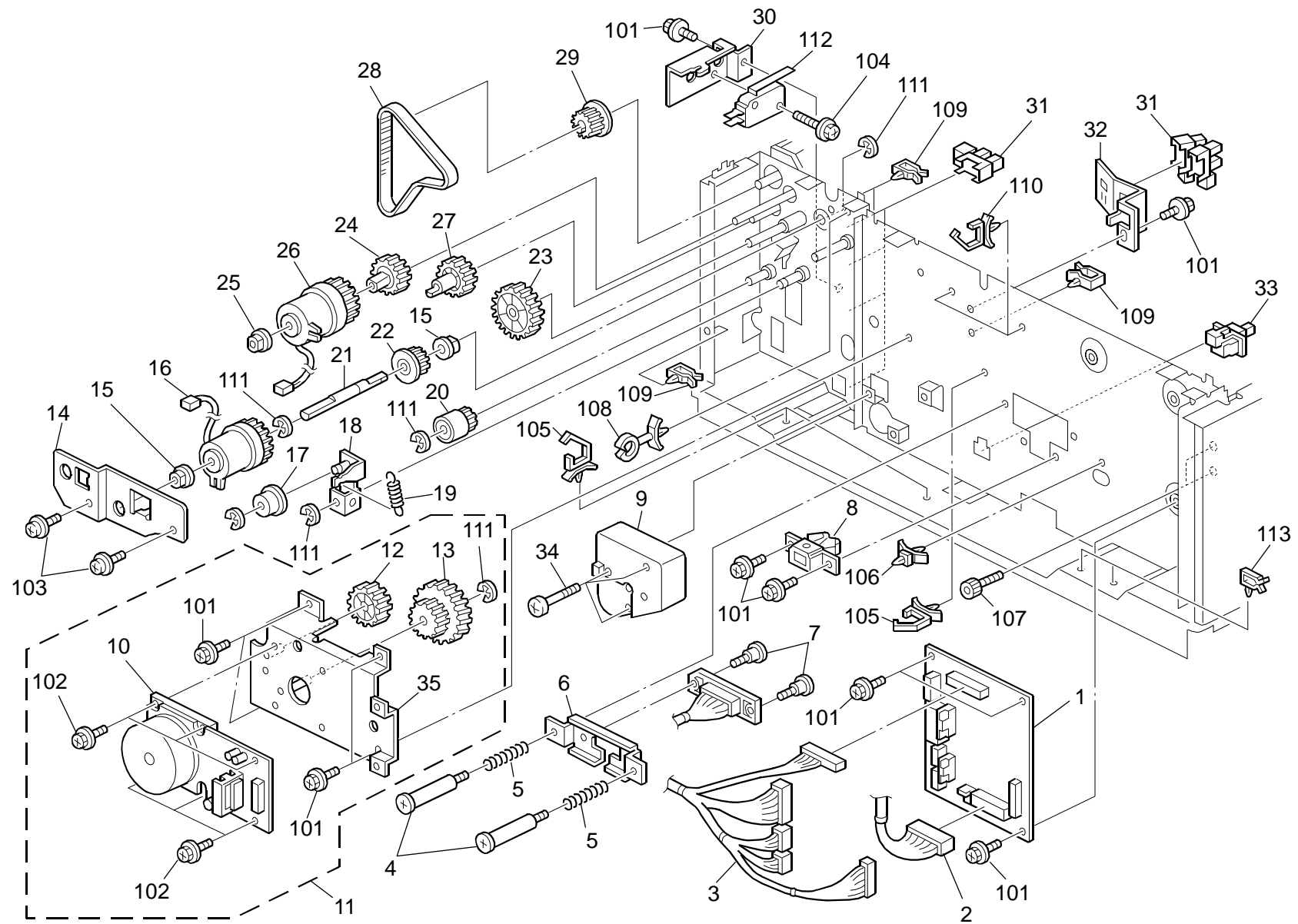


5.TANDEM TRAY 3 (B391)

Index No.	Part No.	Description	Q'ty Per Assembly
1	AX04 0222	DC Motor:Tandem Tray	1
2	AB01 3798	Gear - Z18	1
3	5053 0447	Bushing - 6mm	2
4	B391 2741	DC Motor Bracket	1
5	AB01 9475	Gear - 48T	1
6	B391 2746	Bracket:Timing Belt:Driven:Peen	1
7	AB03 3085	Timing Pulley - 15T	1
8	AA04 3525	Timing Belt - S3M600	1
9	B391 2721	Stopper - Timing Belt Slider	1
10	A862 2720	End Fence Slider	1
11	AA14 1711	Shaft:Timing Pulley	1
12	B391 2728	Timing Pulley Bracket	1
13	AB03 3084	Timing Pulley - 15T	1
14	AW02 0175	Photointerruptor:Paper Volume Sensor	2
15	AW02 0174	Photointerruptor:Actuator	1
16	B391 2722	Bracket - Photointerruptor	1
17	B391 5320	Harness:Tray:Connecting:Ass'y	1
18	A862 2600	Paper Tray	1

Index No.	Part No.	Description	Q'ty Per Assembly
101	0450 3008N	Tapping Screw - M3x8	
102	0720 0040E	Retaining Ring - M4	
103	1105 0283	Clamp	
104	1105 0310	Harness Clamp - LWS-1S	
105	0450 3010N	Tapping Screw - M3x10	

6.DRIVE/ELECTRICAL SECTION (B391)



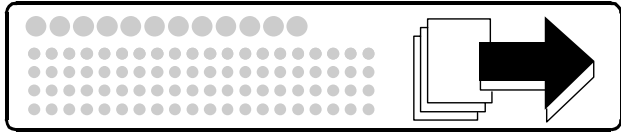
6.DRIVE/ELECTRICAL SECTION (B391)

Index No.	Part No.	Description	Q'ty Per Assembly
1	B391 5110	PCB:LCT:Ass'y	1
2	B391 5330	Harness:Interface:Ass'y	1
3	B391 5310	Harness - Main	1
4	AA14 3610	Screw:Drawer	2
5	AA06 3600	Compression Spring	2
6	B391 1131	Drawer Bracket	1
7	AA14 3612	Screw:Connector	2
8	B600 1082	Holder:Paper Tray	1
9	B391 2650	DC Motor:Rise:Large Capacity Tray:Ass'y	1
10	AX06 0313	DC Motor:Brushless Motor:Ns	1
11	B391 2809	DC Motor:Drive:Hawaii-b:Ass'y	1
12	AB01 4134	Gear - 28Z	1
13	AB01 4133	Gear 60/28z	1
14	B391 2826	Stopper - Magnetic Clutch	1
15	AA08 2047	Bushing - 8x16x7	2
16	AX20 0280	Magnetic Clutch:0.5n.m:28z	1
17	AB03 0564	Pulley - M17	1
18	B391 2830	Belt Tensioner	1
19	AA06 0797	Spring Belt - Tensioner	1
20	AB03 0575	Timing Pulley - 20T	1
21	AA14 0712	Connecting Shaft	1
22	AB03 0566	Timing Pulley - 20T	1
23	AB01 4136	Gear - 31Z	1
24	AB01 4037	Gear - 24Z	1
25	5053 0447	Bushing - 6mm	1
26	AX20 0153	Electrical Clutch	1
27	AB01 4038	Gear - 22Z	1
28	AA04 3526	Timing Belt - B60S3M312	1
29	AB03 0565	Timing Pulley - 20T	1
30	B391 1126	Bracket - Micro Switch	1
31	AW02 0160	Paper Feed Sensor	6
32	B391 2677	Bracket Detector	1
33	AW50 0022	Push Switch	1
34	AA14 3618	Flat Screw:Lift Motor	1
35	B391 2810	Bracket DC DC Motor Drive	1

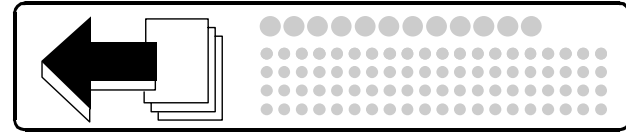
Index No.	Part No.	Description	Q'ty Per Assembly
101	0451 3006N	Tapping Screw - 3x6	
102	0451 3008N	Tapping Screw - M3x8	
103	0353 0060N	Philips Pan Head Bind Screw - M3x6	
104	0451 3014N	Tapping Screw:3x14	
105	1105 0310	Harness Clamp - LWS-1S	
106	1105 0192	Locking Support	
107	0594 0080N	Hexagonal Set Screw - M4x8	
108	1105 0348	Clamp	
109	1105 0267	Harness Clamp - YMC-10-0	
110	1105 0413	Harness Clamp	
111	0720 0060E	Retaining Ring - M6	
112	1204 2356	Microswitch - AM51612A531	
113	1105 0290	Harness Clamp - HORIZONTAL	

7.DECALS AND DOCUMENTS (B391)

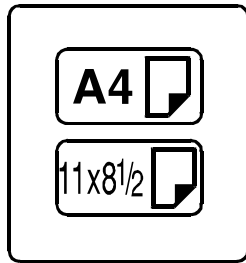
1



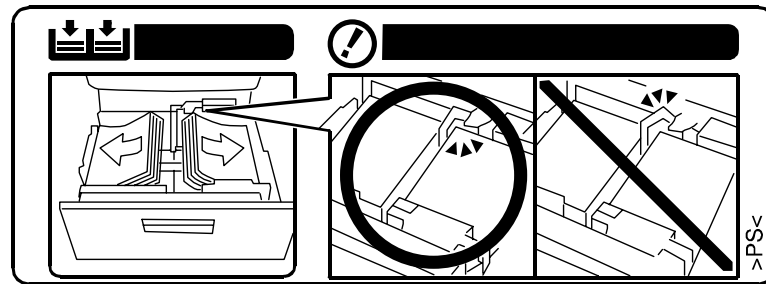
2



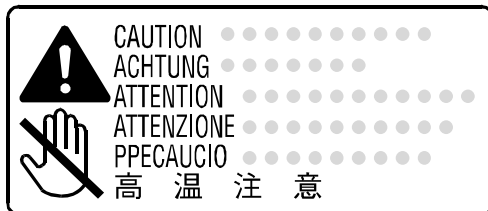
3



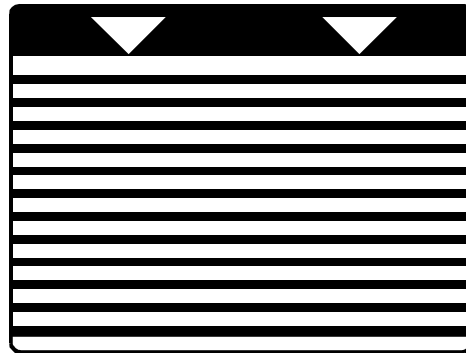
4



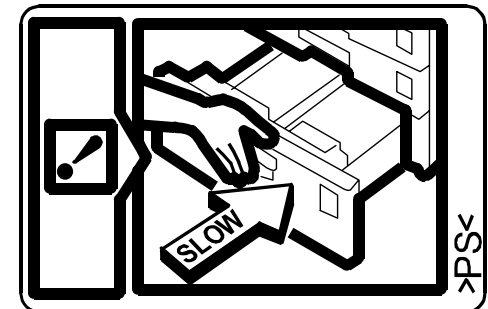
5



6



7



7.DECALS AND DOCUMENTS (B391)

Index No.	Part No.	Description	Q'ty Per Assembly
1	A096 6677	Decal - Right Paper Set	1
2	A096 6678	Decal - Left Paper Set	1
3	B391 2612	Decal - Size Indication	1
4	B391 2615	Decal - Paper Set Direction	1
5	AA00 0401	Decal - High Temperature	1
6	AA00 2010	Decal - Paper Level	1
7	B391 2757	Decal - Paper Tray	1

Index No.	Part No.	Description	Q'ty Per Assembly

Parts Index

PM Parts Index

Section Name	Part No.	Description in Service Manual	Description in Parts Catalog	Q'ty Per Assembly	Page and Index No.
PAPER FEED SECTION (B391)	AF03 1035	Feed Roller	Feed Roller	1	5- 10
	AF03 0035	Pick-up Roller	Pick-up Roller	1	5- 20
	AF03 2035	Separation Roller	Separation Roller	1	5- 24

Parts Index

Part No.	Description	Page and Index No.
B391 1088	Spring Plate	7 - 5
B391 1115	Stay:Upper Rear:Peen	3 - 5
B391 1126	Bracket - Micro Switch	13 - 30
B391 1131	Drawer Bracket	13 - 6
B391 2560	Cover - Vertical Transport	3 - 14
B391 2565	Guide Plate - Vertical Transport	3 - 12
B391 2571	Lever - Vertical Transport	3 - 16
B391 2610	Front Cover	7 - 1
B391 2612	Decal - Size Indication	15 - 3
B391 2612	Decal - Size Indication	7 - 2
B391 2615	Decal - Paper Set Direction	15 - 4
B391 2615	Decal - Paper Set Direction	7 - 3
B391 2624	Side Plate:Front:Large Capacity Tray:Peen	9 - 10
B391 2631	Balancer - Bottom Plate	9 - 11
B391 2634	Side Plate:Rear:Large Capacity Tray:Peen	9 - 18
B391 2639	Roller Plate Bracket	9 - 3
B391 2641	Shaft:Tray Bottom Plate:Rise:Ass'y	9 - 20
B391 2650	DC Motor:Rise:Large Capacity Tray:Ass'y	13 - 9
B391 2659	Side Fence:Front:Peen	7 - 17
B391 2664	Side Fence:Rear:Peen	7 - 16
B391 2671	DC Solenoid:End Fence:Ass'y	9 - 22
B391 2673	Stay - Timing Belt	9 - 8
B391 2674	Stay - Timing Belt Rear	9 - 19
B391 2676	End Fence Bracket	9 - 17
B391 2677	Bracket Detector	13 - 32
B391 2691	Damper Bracket	9 - 2
B391 2721	Stopper - Timing Belt Slider	11 - 9
B391 2722	Bracket - Photointerruptor	11 - 16
B391 2728	Timing Pulley Bracket	11 - 12
B391 2730	Front Side Fence - Tandem Tray	7 - 18
B391 2736	Rear Side Fence - Tandem Tray	7 - 14
B391 2737	Bracket - Paper Volume Sensor	7 - 11
B391 2741	DC Motor Bracket	11 - 4
B391 2746	Bracket:Timing Belt:Driven:Peen	11 - 6

Part No.	Description	Page and Index No.
B391 2749	Paper Feed Unit:H-b:Ass'y	5 - *
B391 2751	Housing Paper Feed Unit	5 - 7
B391 2752	Guide Plate Housing - Paper Feed	5 - 10
B391 2757	Decal - Paper Tray	7 - 19
B391 2757	Decal - Paper Tray	15 - 7
B391 2760	Feed Stay	5 - 4
B391 2763	Stay:Separate:Ass'y	5 - 27
B391 2769	Rear Feed Mylar	5 - 37
B391 2770	Timing Belt Cover	7 - 8
B391 2771	Positioning Sensor Cover	7 - 10
B391 2777	Shaft:Separate:Driven:Ass'y	5 - 26
B391 2809	DC Motor:Drive:Hawaii-b:Ass'y	13 - 11
B391 2810	Bracket DC DC Motor Drive	13 - 35
B391 2826	Stopper - Magnetic Clutch	13 - 14
B391 2830	Belt Tensioner	13 - 18
B391 3051	Flat Screw:Hand Set:M3	5 - 11
B391 5110	PCB:LCT:Ass'y	13 - 1
B391 5310	Harness - Main	13 - 3
B391 5320	Harness:Tray:Connecting:Ass'y	11 - 17
B391 5330	Harness:Interface:Ass'y	13 - 2
B391 5350	Harness:Paper Volume Sensor:Ass'y	7 - 13
B391 5370	Harness:Heater:Ass'y	3 - 32
B391 5428	Harness:Paper Feed Unit:Ass'y	5 - 9
B391 7351	Tray Heater 230v	3 - 31

Part No.	Description	Page and Index No.
A096 6677	Decal - Right Paper Set	15 - 1
A096 6677	Decal - Right Paper Set	9 - 14
A096 6678	Decal - Left Paper Set	15 - 2
A096 6678	Decal - Left Paper Set	7 - 9
A232 2762	Paper End Feeler	5 - 16
A232 2764	Rear Grounding Plate	5 - 14
A232 2766	Feed Mylar	5 - 41
A232 2774	Pressure Lever	5 - 30
A232 2775	Link Lever	5 - 34
A232 2776	Release Lever	5 - 35
A232 2781	Sensor Bracket	5 - 2
A232 2995	Front Positioning Guide	3 - 23
A284 2783	Torque Limiter	5 - 25
A335 4351	Guide Roller	9 - 4
A421 2543	Friction Pad	9 - 13
A507 1096	Philips Screw - M5x6	3 - 21
A860 6140	Bracket - Joint	3 - 8
A860 6215	Right Stand	3 - 26
A860 6220	Left Stand	3 - 25
A860 6230	Screw - M3	3 - 28
A862 2567	Stopper Vertical Transport	3 - 17
A862 2573	Front Hook - Vertical Transport	3 - 19
A862 2574	Rear Hook - Vertical Transport	3 - 13
A862 2600	Paper Tray	11 - 18
A862 2605	Earth Spring Plate - Paper Tray	9 - 15
A862 2630	Tray Bottom Plate	9 - 12
A862 2645	End Fence Rear	9 - 16
A862 2692	Oil Damper	9 - 1
A862 2720	End Fence Slider	11 - 10
A862 2725	End Fence - Tandem Tray	7 - 7
A862 2753	Arm Pickup Ass'y	5 - 1
A862 2756	Guide Plate Swivel	5 - 38
A862 2758	Ground Plate Front	5 - 6
B070 6684	Lever:Release:Rear	9 - 23
B384 1110	Upper Front Stay	3 - 24

Part No.	Description	Page and Index No.
B384 1117	Bracket - Upper Rear Stay	3 - 6
B384 1120	Upper Left Stay	3 - 3
B384 1131	Front Right Bracket	3 - 29
B384 1132	Front Left Bracket	3 - 34
B384 1146	Spring Plate	3 - 4
B384 1270	Rear Cover	3 - 7
B390 1125	Adjusting Pin:Base	3 - 22
B390 1255	Left Cover	3 - 1
B390 1265	Right Cover	3 - 27
B390 1759	Shaft:Scale	3 - 2
B390 4351	Screw:Fix:Tray:Exit	3 - 33
B600 1082	Holder:Paper Tray	13 - 8

Part No.	Description	Page and Index No.
AA00 0401	Decal - High Temperature	3 - 30
AA00 0401	Decal - High Temperature	15 - 5
AA00 2010	Decal - Paper Level	15 - 6
AA00 2010	Decal - Paper Level	7 - 15
AA04 3524	Timing Belt - S3M417	9 - 9
AA04 3525	Timing Belt - S3M600	11 - 8
AA04 3526	Timing Belt - B60S3M312	13 - 28
AA06 0691	Tension Spring	5 - 23
AA06 0692	Tension Spring	5 - 29
AA06 0693	Tension Spring	5 - 36
AA06 0795	Tension Spring	3 - 15
AA06 0796	Tension Spring - End Fence	9 - 21
AA06 0797	Spring Belt - Tensioner	13 - 19
AA06 3382	Pressure Spring	3 - 11
AA06 3600	Compression Spring	13 - 5
AA07 0047	Slide Rail	7 - 6
AA07 0053	Right Slide Rail	7 - 20
AA08 0254	Bushing - M4	3 - 10
AA08 2047	Bushing - 8x16x7	13 - 15
AA08 2070	Bushing - 8x16x7	5 - 39
AA08 2072	Bushing - M6	5 - 5
AA08 3014	One-way Clutch	5 - 12
AA14 0655	Shaft - Paper Feed	5 - 13
AA14 0712	Connecting Shaft	13 - 21
AA14 1656	Shaft:Separate:Drive	5 - 32
AA14 1709	Shaft:Un Lock:Vertical Transport	3 - 18
AA14 1711	Shaft:Timing Pulley	11 - 11
AA14 3508	Flat Knob Screw - M4x10	3 - 35
AA14 3610	Screw:Drawer	13 - 4
AA14 3612	Screw:Connector	13 - 7
AA14 3618	Flat Screw:Lift Motor	13 - 34
AA14 3632	Screw:M3	7 - 4
AB01 0106	Gear - 24Z	5 - 31
AB01 0107	Gear - 23Z	5 - 33
AB01 1188	Gear - 21Z	5 - 21

Part No.	Description	Page and Index No.
AB01 1189	Gear - 18Z	5 - 19
AB01 3798	Gear - Z18	11 - 2
AB01 4037	Gear - 24Z	13 - 24
AB01 4038	Gear - 22Z	13 - 27
AB01 4133	Gear 60/28z	13 - 13
AB01 4134	Gear - 28Z	13 - 12
AB01 4135	Gear - 18Z	9 - 5
AB01 4136	Gear - 31Z	13 - 23
AB01 9475	Gear - 48T	11 - 5
AB03 0564	Pulley - M17	13 - 17
AB03 0565	Timing Pulley - 20T	13 - 29
AB03 0566	Timing Pulley - 20T	13 - 22
AB03 0575	Timing Pulley - 20T	13 - 20
AB03 0633	Timing Pulley - Tray Bottom Plate	9 - 6
AB03 3084	Timing Pulley - 15T	11 - 13
AB03 3085	Timing Pulley - 15T	11 - 7
AF02 1404	Transport Roller:Drive	5 - 15
AF02 1409	Roller:Driven	3 - 9
AF03 0035	Pick-up Roller	5 - 20
AF03 1035	Feed Roller	5 - 18
AF03 2035	Separation Roller	5 - 24
AH01 2026	Caster	3 - 20
AW02 0157	Paper Feed Sensor	5 - 3
AW02 0160	Paper Feed Sensor	7 - 12
AW02 0160	Paper Feed Sensor	13 - 31
AW02 0160	Paper Feed Sensor	5 - 8
AW02 0174	Photointerruptor:Actuator	11 - 15
AW02 0175	Photointerruptor:Paper Volume Sensor	11 - 14
AW50 0022	Push Switch	13 - 33
AX04 0222	DC Motor:Tandem Tray	11 - 1
AX06 0313	DC Motor:Brushless Motor:Ns	13 - 10
AX20 0153	Electrical Clutch	13 - 26
AX20 0280	Magnetic Clutch:0.5n.m:28z	13 - 16

Part No.	Description	Page and Index No.
0313 0040N	Screw:M3x4	9 - 107
0353 0060N	Philips Pan Head Bind Screw - M3x6	13 - 103
0353 0060N	Philips Pan Head Bind Screw - M3x6	3 - 107
0450 3008N	Tapping Screw - M3x8	11 - 101
0450 3008N	Tapping Screw - M3x8	9 - 102
0450 3008N	Tapping Screw - M3x8	5 - 102
0450 3008N	Tapping Screw - M3x8	7 - 103
0450 3010N	Tapping Screw - M3x10	11 - 105
0450 3010N	Tapping Screw - M3x10	7 - 101
0451 3006N	Tapping Screw - 3x6	5 - 109
0451 3006N	Tapping Screw - 3x6	13 - 101
0451 3006N	Tapping Screw - 3x6	9 - 101
0451 3006N	Tapping Screw - 3x6	7 - 106
0451 3006N	Tapping Screw - 3x6	3 - 101
0451 3008N	Tapping Screw - M3x8	3 - 102
0451 3008N	Tapping Screw - M3x8	5 - 104
0451 3008N	Tapping Screw - M3x8	13 - 102
0451 3008N	Tapping Screw - M3x8	9 - 109
0451 3014N	Tapping Screw:3x14	13 - 104
0451 4006N	Tapping Screw - 4x6	9 - 108
0452 3008N	Tapping Screw - M3x8	7 - 104
0452 3008N	Tapping Screw - M3x8	3 - 108
0453 3006N	Tapping Screw - M3x6	7 - 102
0453 3006N	Tapping Screw - M3x6	3 - 103
0453 3006N	Tapping Screw - M3x6	5 - 101
0453 3006N	Tapping Screw - M3x6	9 - 105
0594 0080N	Hexagonal Set Screw - M4x8	13 - 107
0623 0140E	Spring Pin - 3x14mm	9 - 104
0720 0030E	Retaining Ring - M3	3 - 106
0720 0040E	Retaining Ring - M4	11 - 102
0720 0040E	Retaining Ring - M4	5 - 107
0720 0060E	Retaining Ring - M6	9 - 103
0720 0060E	Retaining Ring - M6	13 - 111
0720 0060E	Retaining Ring - M6	5 - 108
0805 0089	Retaining Ring - M4	5 - 105

Part No.	Description	Page and Index No.
0805 3480	Bushing - 6mm	5 - 106
0950 3006N	Screw:Spring Washer:M3x6	3 - 105
1105 0192	Locking Support	13 - 106
1105 0267	Harness Clamp - YMC-10-0	13 - 109
1105 0267	Harness Clamp - YMC-10-0	9 - 106
1105 0283	Clamp	7 - 105
1105 0283	Clamp	5 - 103
1105 0283	Clamp	11 - 103
1105 0290	Harness Clamp - HORIZONTAL	13 - 113
1105 0310	Harness Clamp - LWS-1S	13 - 105
1105 0310	Harness Clamp - LWS-1S	3 - 104
1105 0310	Harness Clamp - LWS-1S	11 - 104
1105 0348	Clamp	13 - 108
1105 0413	Harness Clamp	13 - 110
1204 2356	Microswitch - AM51612A531	13 - 112

Part No.	Description	Page and Index No.
5053 0223	Bushing - 8mm	9 - 7
5053 0447	Bushing - 6mm	11 - 3
5053 0447	Bushing - 6mm	13 - 25
5206 2686	Snap Ring	5 - 28
5447 2681	Snap Ring	5 - 17

Part No.	Description	Page and Index No.
----------	-------------	--------------------